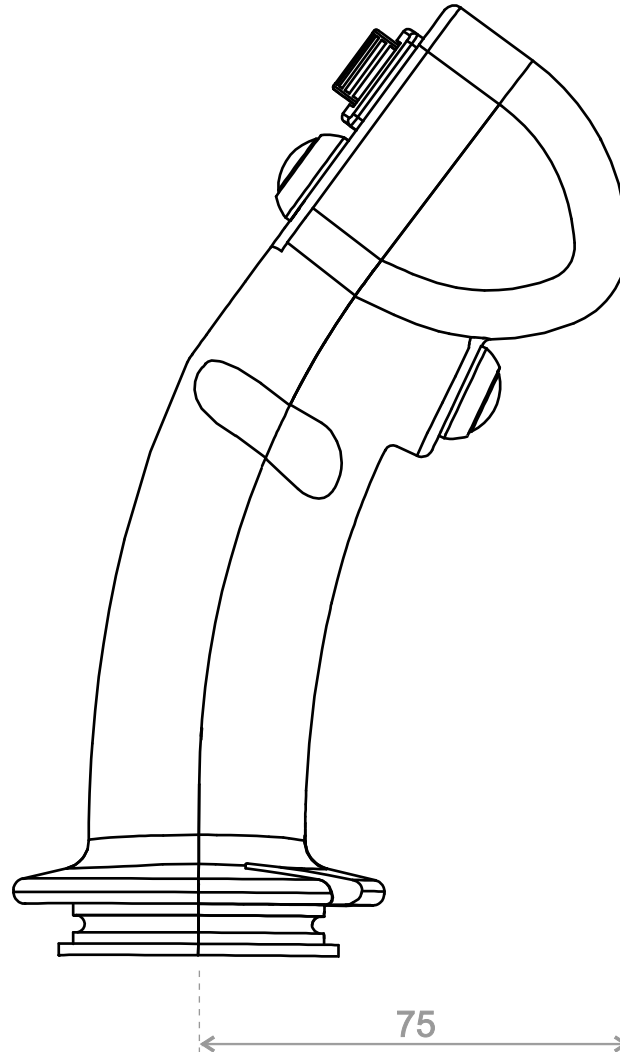
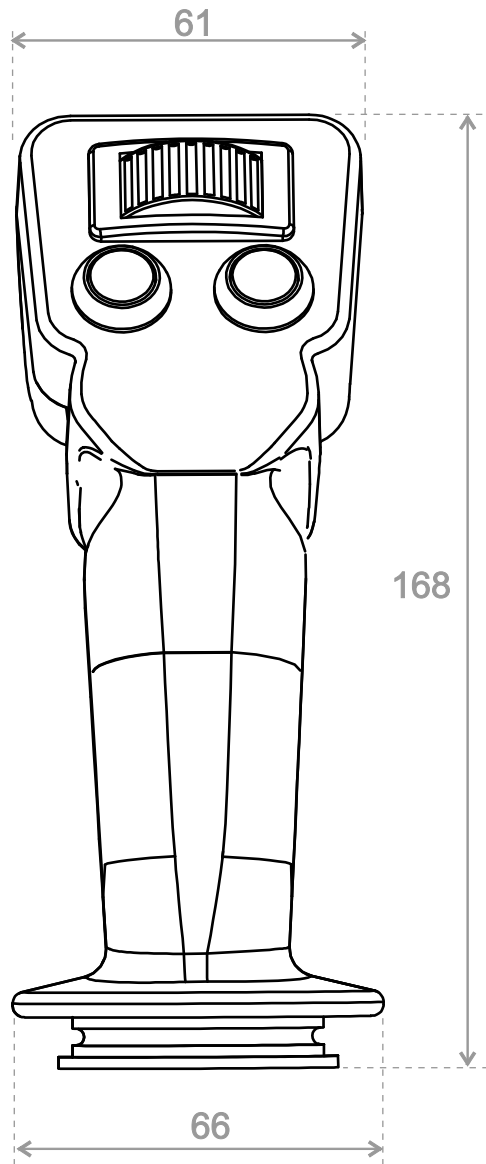


JS / JP / JC: 2-AXIS AND 3-AXIS JOYSTICKS

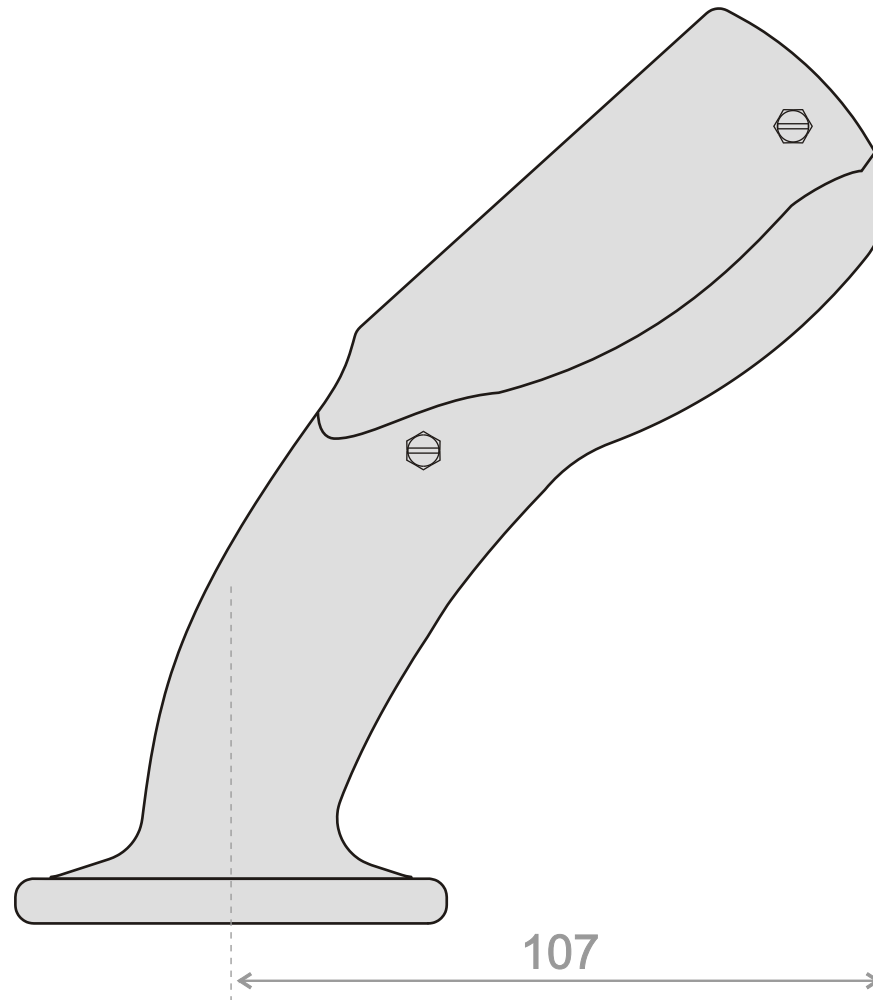
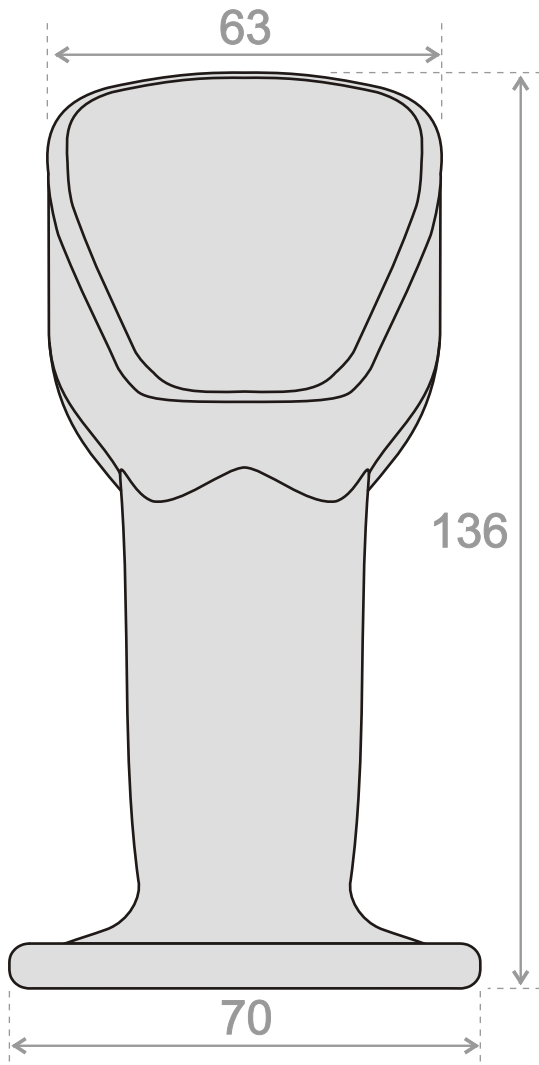
Our JS-JP-JC range of Radio & Controls 2-axis and 3-axis joysticks is available with signal outputs (JS), power/PWM outputs (JP) or CAN bus outputs (JC). The digital electronic board on each version, allows you to configure different parameters using a Serial Interface Adapter (AIS). The handle is customizable with: push buttons, switches, thumbwheel and rocker switches



FB1

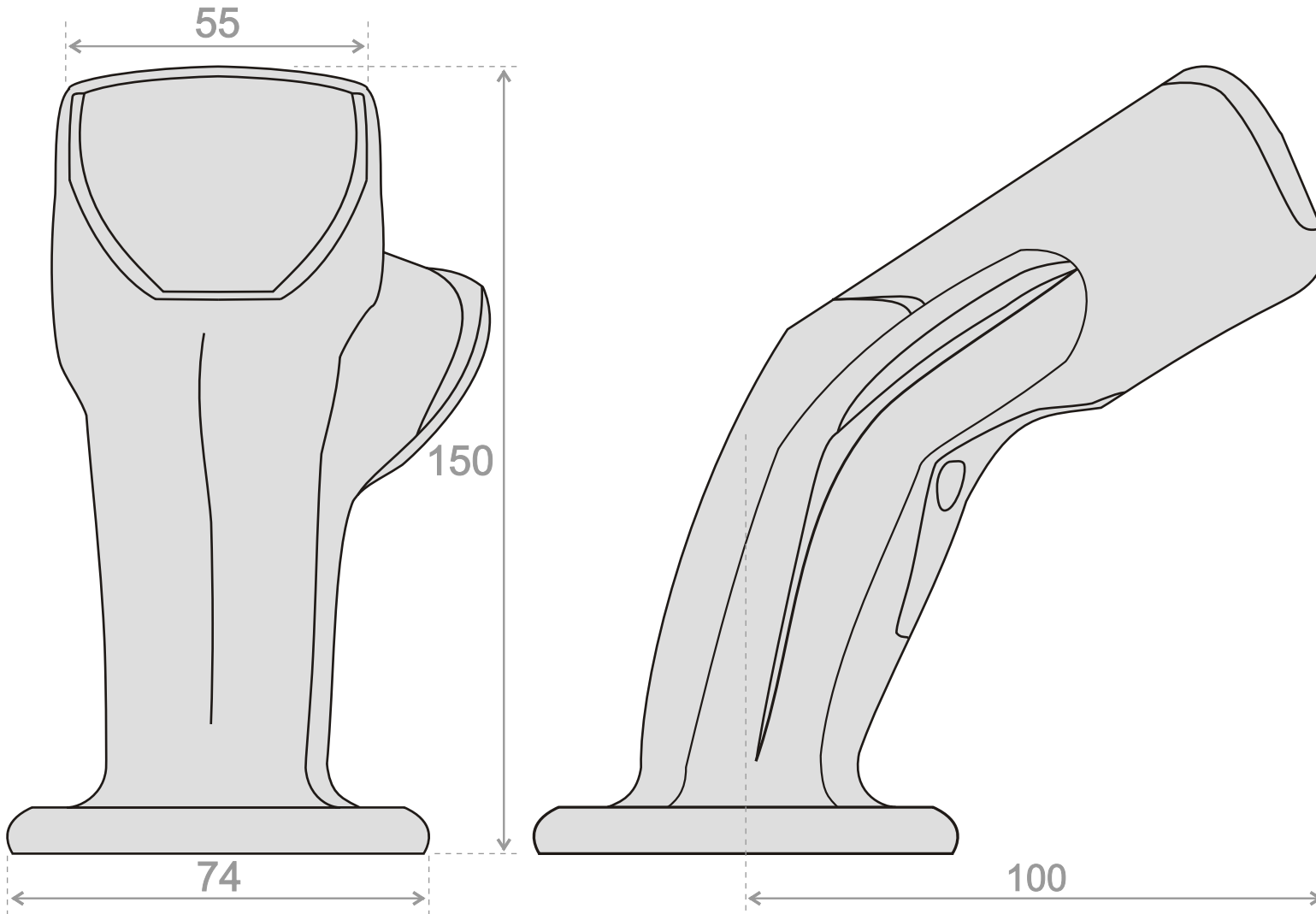


IE2



G3

left / right version available



HPCI

